

6 5 4 3 2 1

D

C

B

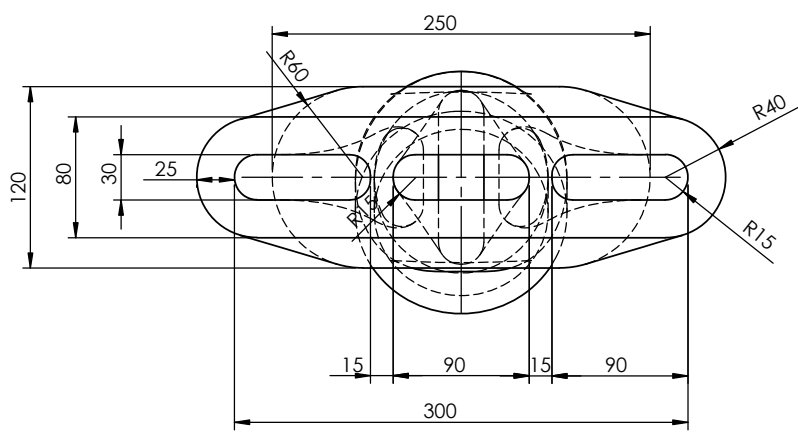
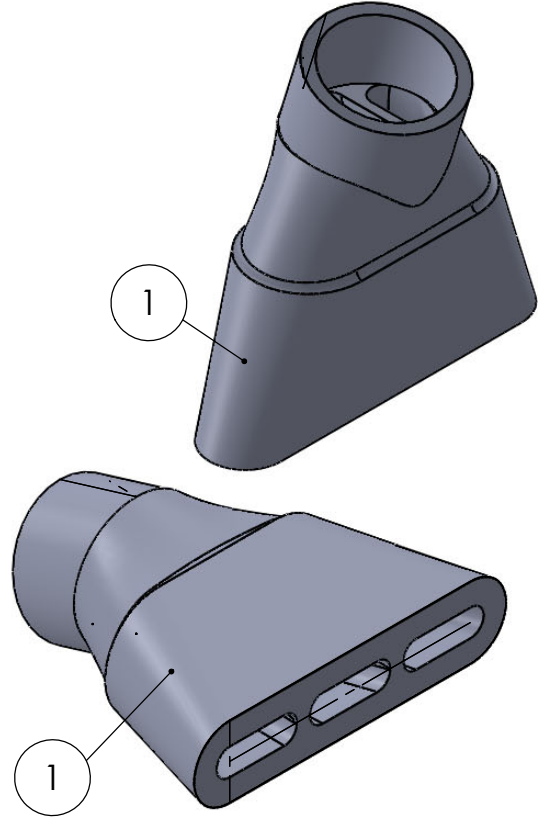
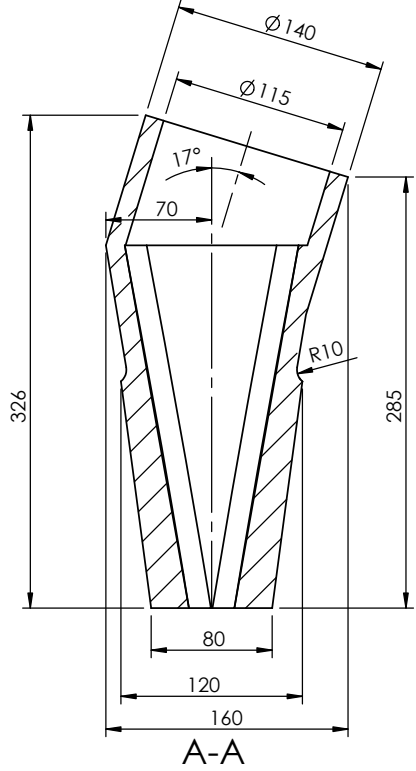
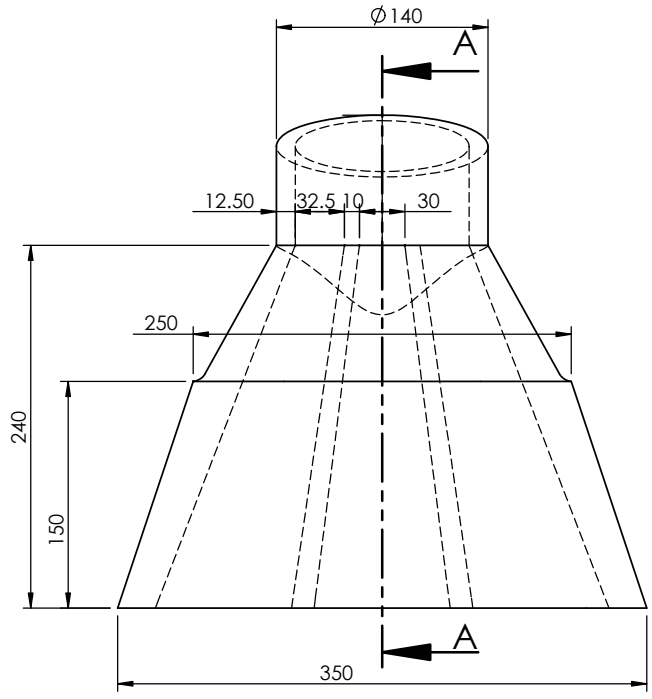
A


D

C

B

A



1	Nozzle 17°	350x326x160	1.4837	1	32.5
ITEM NO.	PART NUMBER	Dimension (mm)	material	QTY.	Total Weight (kg)
Description :			Tolerance: ISO 2768 (m)		REVISION
Hardness:			Asia West Cement Co		
				TITLE: نازل شاک بلاستر	
				DWG NO. 30.20-0307747.1-0	
				A4	
Rev.	Date	Name	Description	ISO-E WEIGHT:	SCALE:1:5 SHEET 1 OF 1

6 5 4 3 2 1