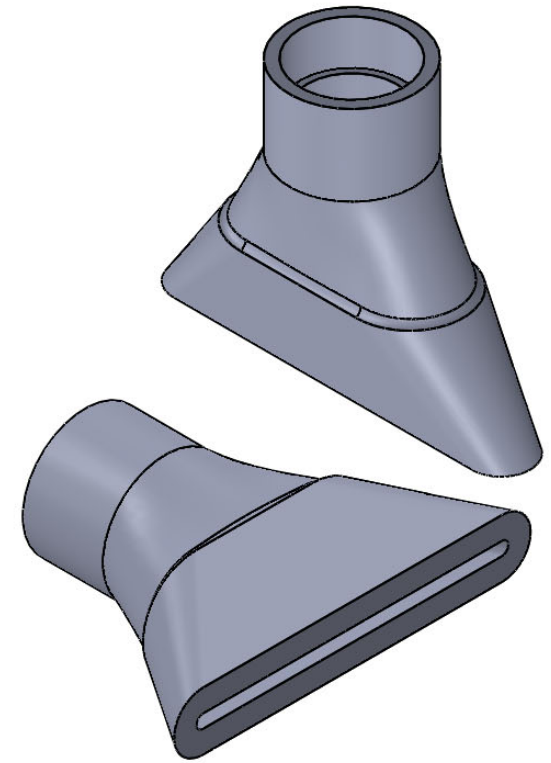
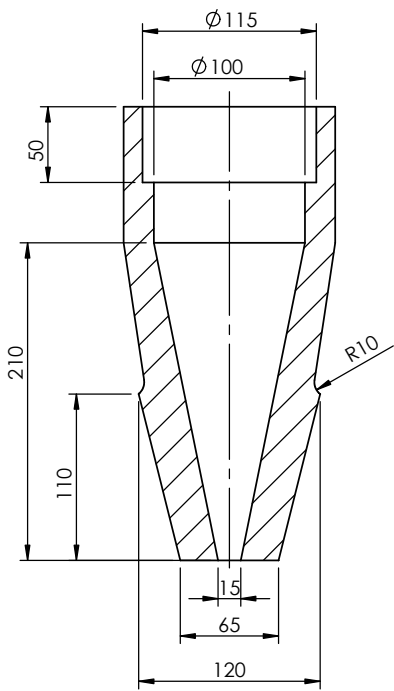
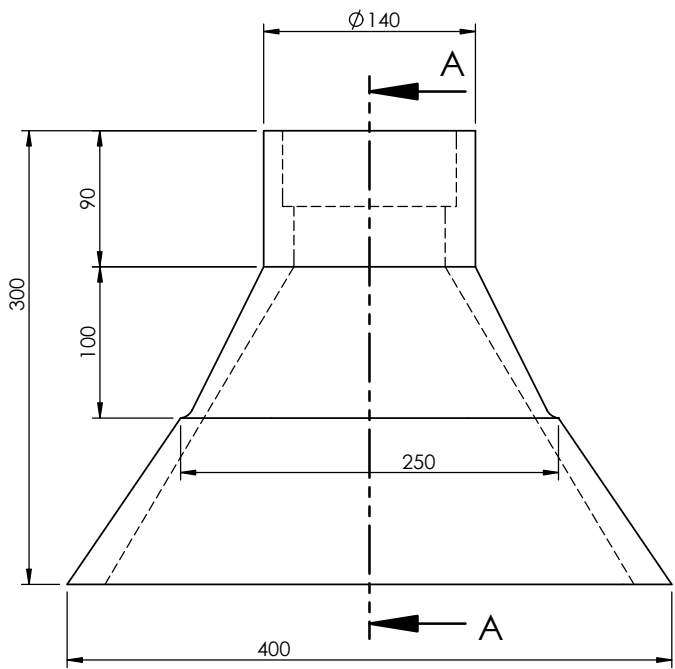


6 5 4 3 2 1

D

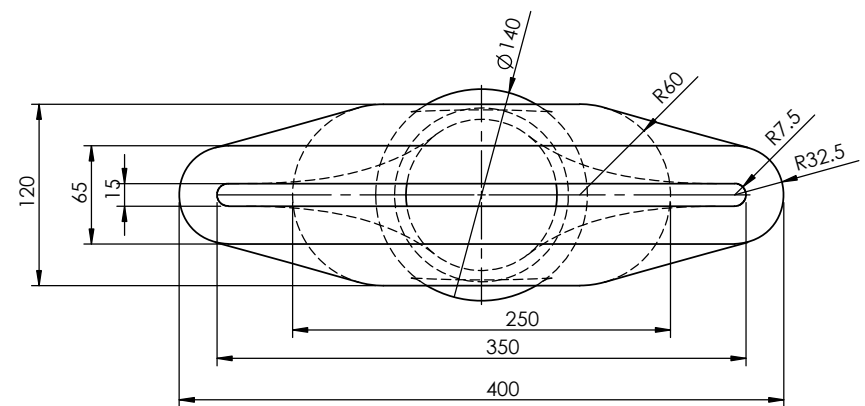
D



A-A


C

C



B

B

1	Nozzle	400x300x140	1.4837	1	29.6
ITEM NO.	PART NUMBER	Dimension (mm)	material	QTY.	Total Weight (kg)
Description :			Tolerance: ISO 2768 (m)		REVISION
Hardness:			Asia West Cement Co		
				TITLE: نازل شاك بلاستر	
				DWG NO. 30.20-0307747.3-0	
				A4	
Rev.	Date	Name	Description	Unit : mm	WEIGHT:
				SCALE:1:5	SHEET 1 OF 1

A

A

6 5 4 3 2 1